

### DINV COUPLINGS

#### QDM & QDF POPPET SERIES ISO 5675 - POPPET VALVE COUPLINGS

##### INTRODUCTION

QDM / QDF (DIN) couplings made to ISO 5676 are offered with a choice of either a poppet valve (DINV) or ball valve (DINB) mechanism, for automatic flow shut-off when disconnected.

For new applications we recommend using poppet valve couplings as they are the more durable option. The ball valve option is primarily intended for applications where compatibility with existing equipment is essential.

##### FEATURES

- ✓ Operating Temperatures (with NBR seals): -40°C to 106°C
- ✓ Positive, quick connection ensured by the snap-together locking ball system.
- ✓ Poppet valves have balanced springs and calibrated oil flow passages to minimise pressure drop.
- ✓ Bi-directional Flow
- ✓ Optional zinc nickel plating provides good corrosion resistance (1200 hours with no red rust in salt spray tests)

##### MATERIALS

Trivalent plated, heat treated carbon steel with nitrile (NBR) seals.  
Replacement seal kits for the female coupler are available on request (OR-QDF-...).

##### APPLICATIONS

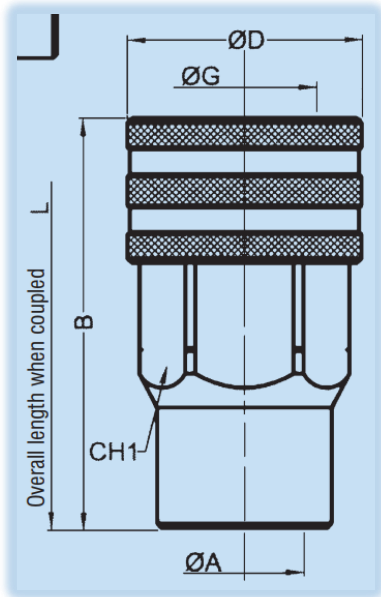
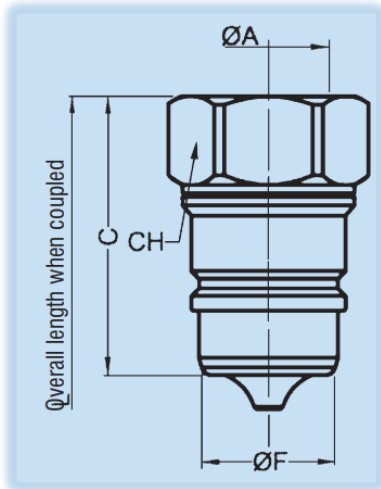
Suitable for agricultural, mobile, construction, and general hydraulics.  
**1/2" DINV couplers are interchangeable with 1/2" ISO A couplers.**



Performance Characteristics	Body Size				
	1/4"	3/8"	1/2"	3/4"	1"
Maximum working pressure (Coupled)	375 Bar	350 Bar	320 Bar	300 Bar	275 Bar
	5437 PSI	5075 PSI	4640 PSI	4350 PSI	3987 PSI
Burst Pressure (Coupled)	1600 Bar	1450 Bar	1300 Bar	1200 Bar	1100 Bar
	23200 PSI	21025 PSI	18850 PSI	17400 PSI	15950 PSI
Burst Pressure (Male)	1600 Bar	1300 Bar	1500 Bar	1100 Bar	1000 Bar
	23200 PSI	18850 PSI	21750 PSI	15950 PSI	14500 PSI
Burst Pressure (Female)	1600 Bar	1300 Bar	1400 Bar	1100 Bar	1000 Bar
	23200 PSI	18850 PSI	20300 PSI	15950 PSI	14500 PSI
Rated Flow	3 L/min	23 L/min	45 L/min	106 L/min	189 L/min
	0.8 GPM	6.1 GPM	12 GPM	28 GPM	50 GPM



### Dimensions



#### Male Coupler (QDM...Poppet)

Part Number	Body Size	ØA (Thread)*	C	ØF	CH hex)	L
QDM-BPF-0404 Poppet	1/4"	1/4" BSPP F	36	14.1	19	74.6
QDM-BPF-0606 Poppet	3/8"	3/8" BSPP F	40	19	24	80.6
QDM-BPF-0808 Poppet**	1/2"	1/2" BSPP F	43.5	20.5	27	88
QDM-BPF-1212 Poppet	3/4"	3/4" BSPP F	53.5	28	34	108
QDM-BPF-1616 Poppet	1"	1" BSPP F	64	31.2	41	129.1

\*Alternative threads (NPTF, UN) available on request for both male and female couplers.

\*\*1/2" size DINV couplers are the same as 1/2" size ISO A couplers (see QAM-BPF-0808/QAF-BPF-0808).

#### Female Coupler (QDF...Poppet)

Part Number	Body Size	ØA (Thread)*	B	ØG	CH1 hex)	L	ØD
QDF-BPF-0404 Poppet	1/4"	1/4" BSPP F	55.5	17	22.1	74.6	27.6
QDF-BPF-0606 Poppet	3/8"	3/8" BSPP F	60.6	21.5	24	80.6	33.9
QDF-BPF-0808 Poppet**	1/2"	1/2" BSPP F	66	23.8	27	88	38
QDF-BPF-1212 Poppet	3/4"	3/4" BSPP F	82.6	31.2	34	108	48.1
QDF-BPF-1616 Poppet	1"	1" BSPP F	97.6	34.5	41	129.1	56

All dimensions in mm unless otherwise stated. Dimensions shown are for guidance only, if critical contact FC staff.

